



Pressure Transmitter

MPS300



OVERVIEW

Operation

MPS300 series pressure transmitters are suitable for liquids, gas pressure measuring and controlling in the moderate media, with sensor probe working very well with long term stability at the high temperature of 125 °C

Features

- Compact design
- Protection type IP65 or IP67 as optional
- Corrosion resistant stainless steel design
- Wide measuring range
- Simple installation
- Various output signal
- High accuracy
- High vibration resistant

Application

- Creating consumption profiles to save energy
- Pressure and temperature-compensated flow measurement of compressed air
- Accurate determination of compressed air flow rates over a broad measuring range

OPERATING DATA

Temperature Limit	-40...125°C
Compensated Temp. Limit	-10...125°C
Stability	0.15% of FS/year
Response Time	4 mSec.
Accuracy	±0.5% / ±0.1%
Over Pressure	Full scale range up to 16 bar-2.5x Above 16 to 600bar - 2x Above 600 bar - 1.5x
Vibration and Shock Lim.	20g, 20...5000hz-100g,11mSec.
Enclosure	IP65 /IP67 /IP68
Cable	100 m max.

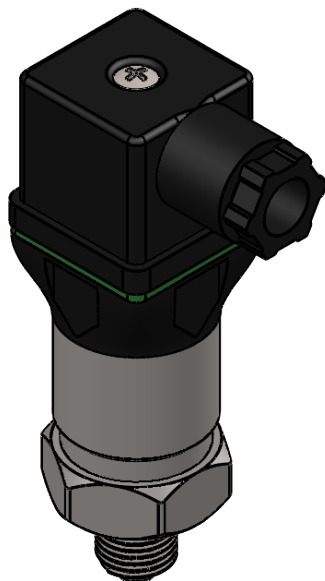
MEASURING RANGES

Max Pressure Range	0-1000 bar
---------------------------	------------

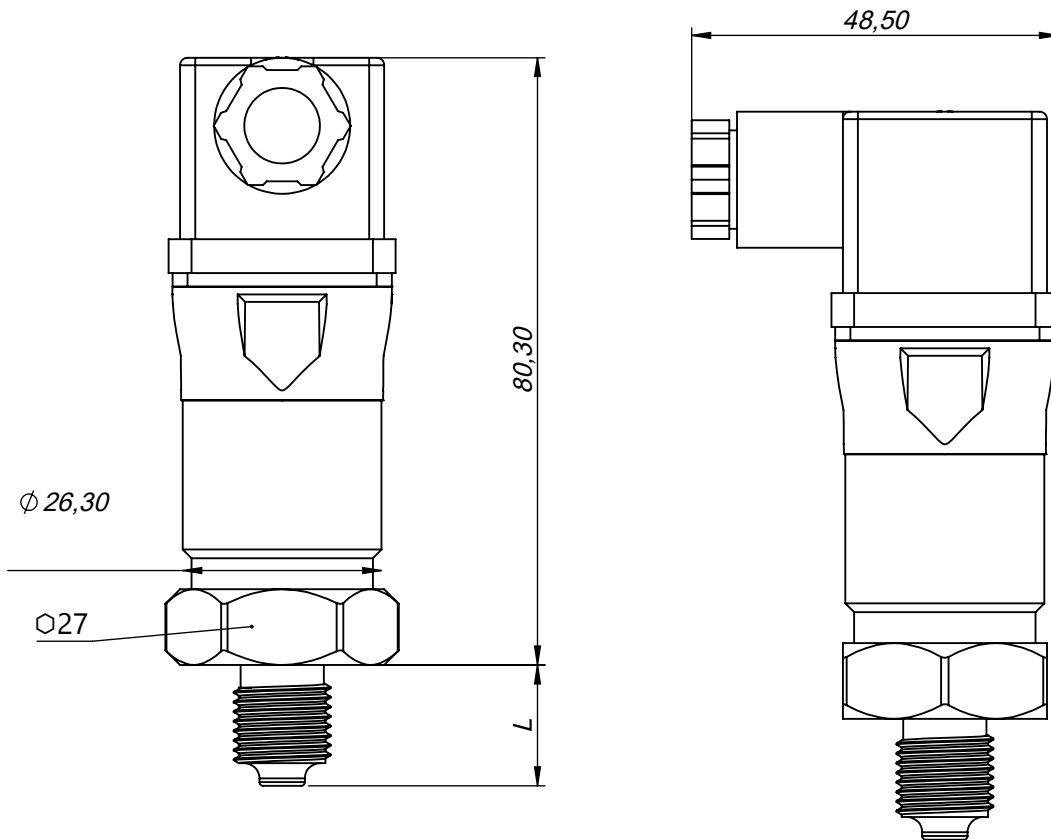
MATERIALS

Diaphragm	AISI316L
Body Tube	AISI316L
Socket	Polyamid66

ASSEMBLY DRAWINGS



■ TECHNICAL DRAWINGS AND DIMENSIONS



■ CONNECTION

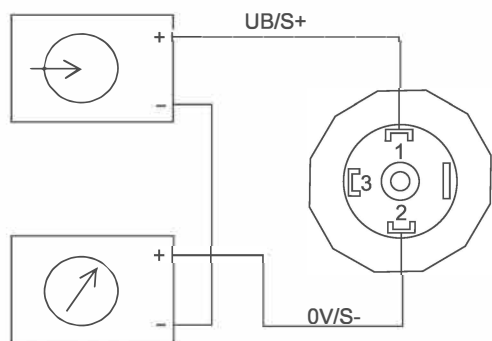
Standart
Others

1/4" NPT or G
On request

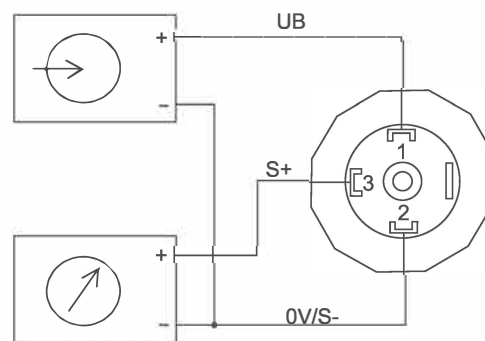
■ ELECTRICAL DATA

Output	2 wires, 4-20 mA
Power Supply	10-36 VDC power
Option	0-5 VDC, 1-5 VDC or 0-10 VDC
Electrical Connection	DIN 43650A or cable connection
Enclosure	IP65 //IP67 //IP68

WIRING



4-20 mA, 2 wires



0-10 VDC, 3 wires

APPROVAL

2014/30/EU (EMC), EN 61326-1 : 2013, EN 61326-2-3 : 2013, EN 61010-1 : 2011 Ex d II C
T6, T5, T4 - II 1/2G Ex ia IIC T4 GB (Ga)

MEASURING RANGES

Code	Range	Code	Range	Code	Range
004	0...100 mBar	012	0...4 Bar	020	0...160 Bar
005	0...160 mBar	013	0...6 Bar	021	0...250 Bar
006	0...250 mBar	014	0...10 Bar	022	0...400 Bar
007	0...400 mBar	015	0...16 Bar	023	0...600 Bar
008	0...600 mBar	016	0...25 Bar	024	0...1000 Bar
009	0...1 Bar	017	0...40 Bar		
010	0...1,6 Bar	018	0...60 Bar		
011	0...2,5 Bar	019	0...100 Bar	XXX	Special Ranges

ORDERING

MPS300					Pressure Transmitter
Output	420				4-20 mA (others specify as X)
	050				0-5 VDC
	010				0-10 VDC
Measuring Range		XXX			Please Look at Measuring Range Table
Pressure Type			01		Relative
			02		Absolute
Process Connection			01		G 1/4"
			02		1/4" NPT-M
			03		Others
Electrical Connection				PIN	Pin Connector M12
				DIN	DIN 43650A
				010	Cable length 10m
Hazardous Area				N	None
				xi	II 1/2G Ex ia IIC T4 Gb (Ga)
				xd	Ex d II C T6,T5,T4